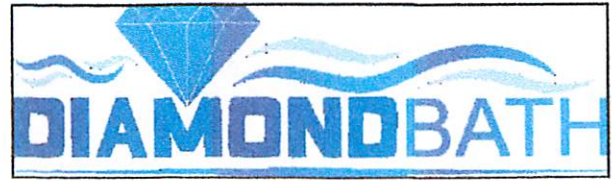
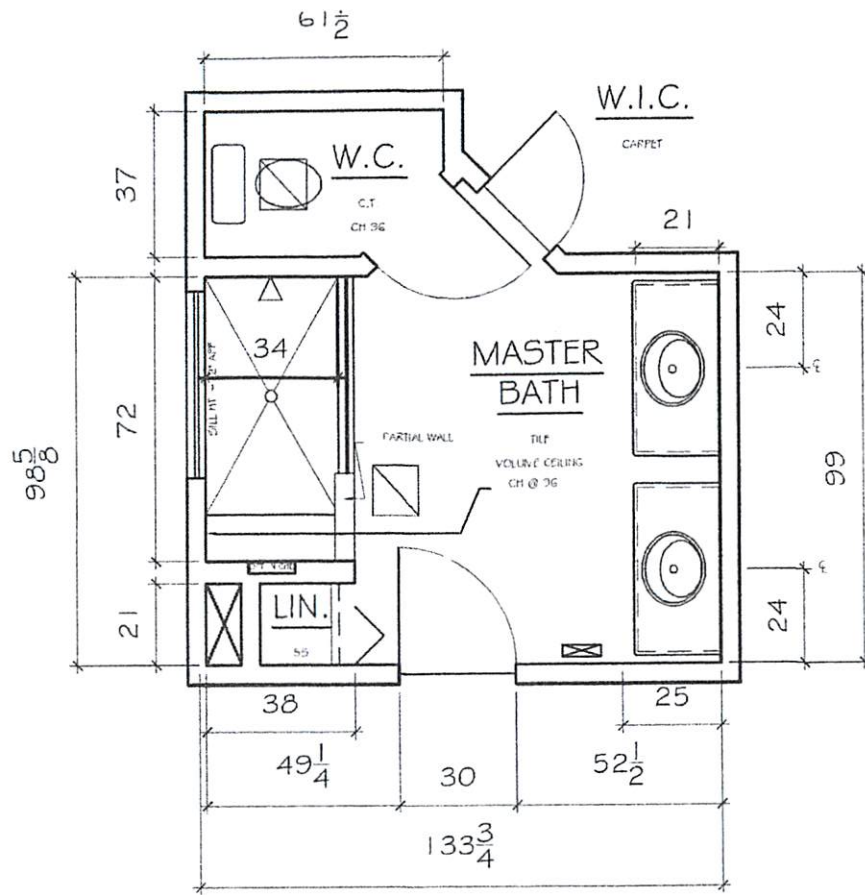
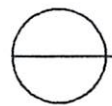
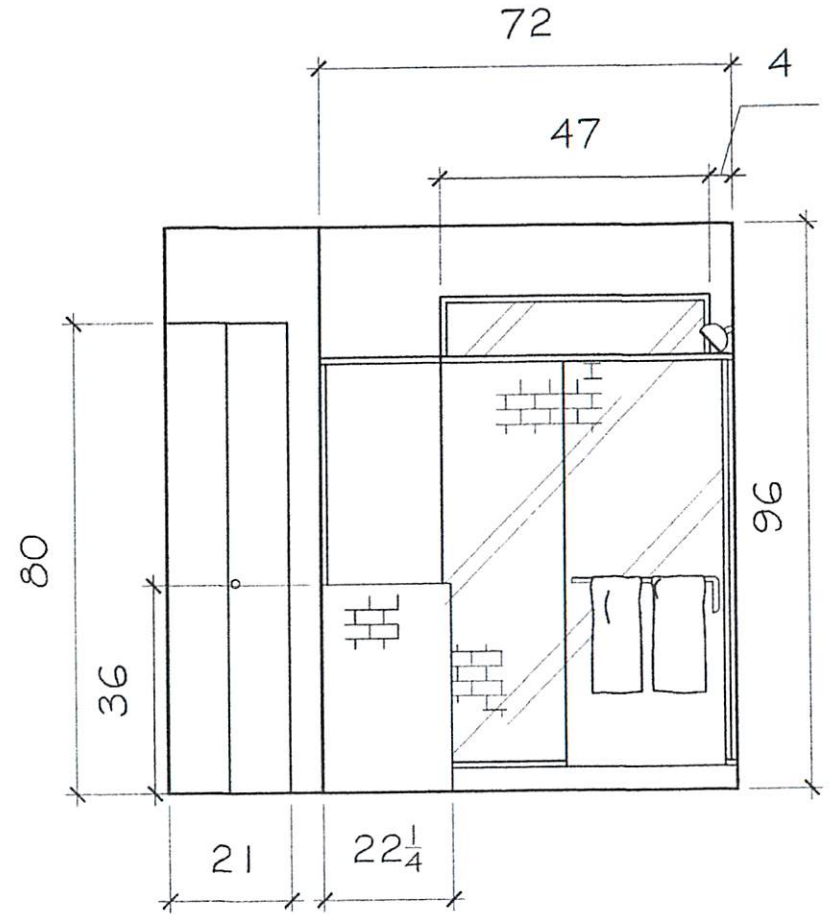
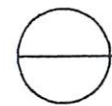

 OPT. C VANITY ELEVATION
 SCALE: $\frac{3}{8}$ " = 1'-0"






 OPT. C FLOOR PLAN
 SCALE: $\frac{1}{4}'' = 1'-0''$




 OPT. C 72" SHOWER W/PART. WALL ELEVATION
 SCALE: $\frac{3}{8}'' = 1'-0''$

